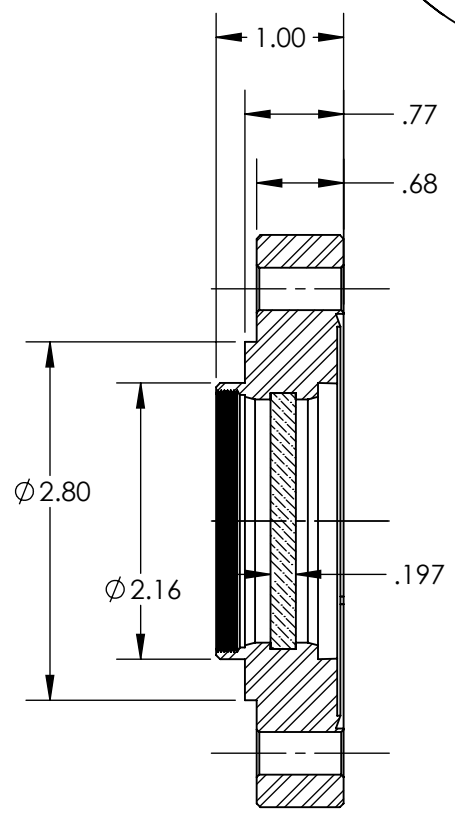
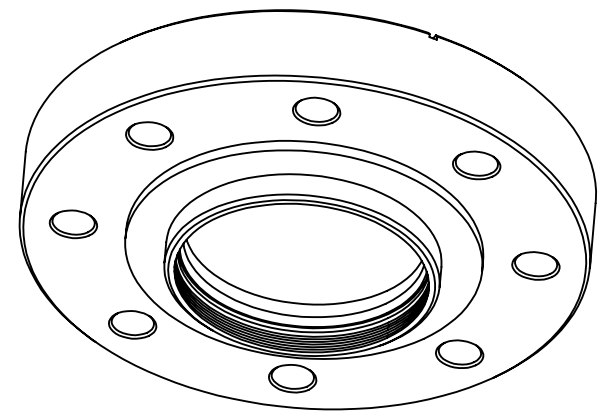
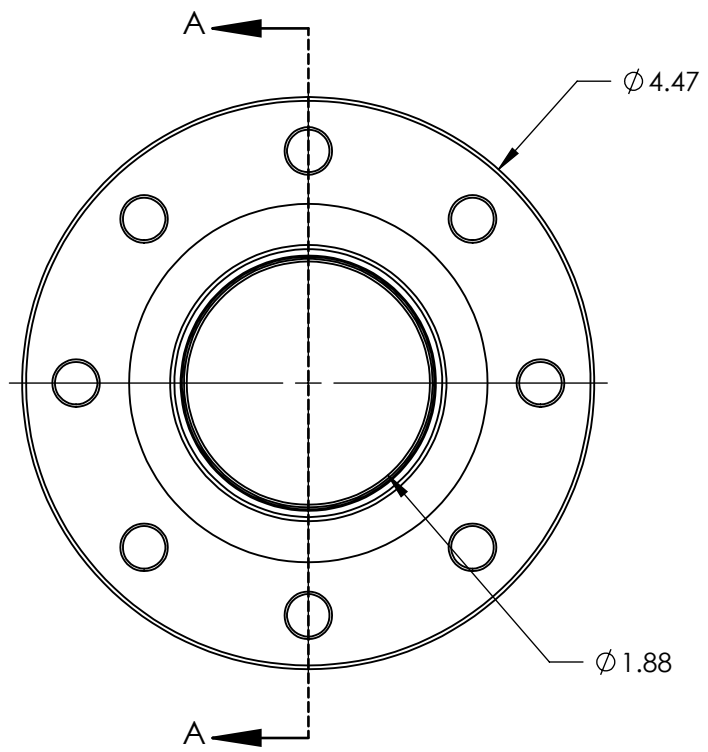


2

1

NOTES:

- 1. MATERIAL: CAF2 CALCIUM FLUORIDE
- 2. SURFACE QUALITY: 40-20 SCRATCH-DIG OR BETTER
- 3. PARALLELISM: 30 ARCMINUTES MAX
- 4. TWD: $\lambda/4$ @633nm
- 5. LEAK RATE: 2×10^{-10} STD ATM CC/SEC HELIUM
- 6. TEMPERATURE RANGE: -100 TO 200 °C
- 7. MAGNETIC PERMEABILITY: $\mu < 1.01$



SECTION A-A

B

B

A

A

2

1