

2

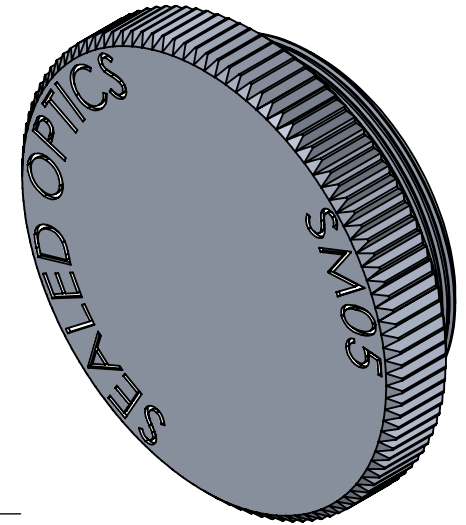
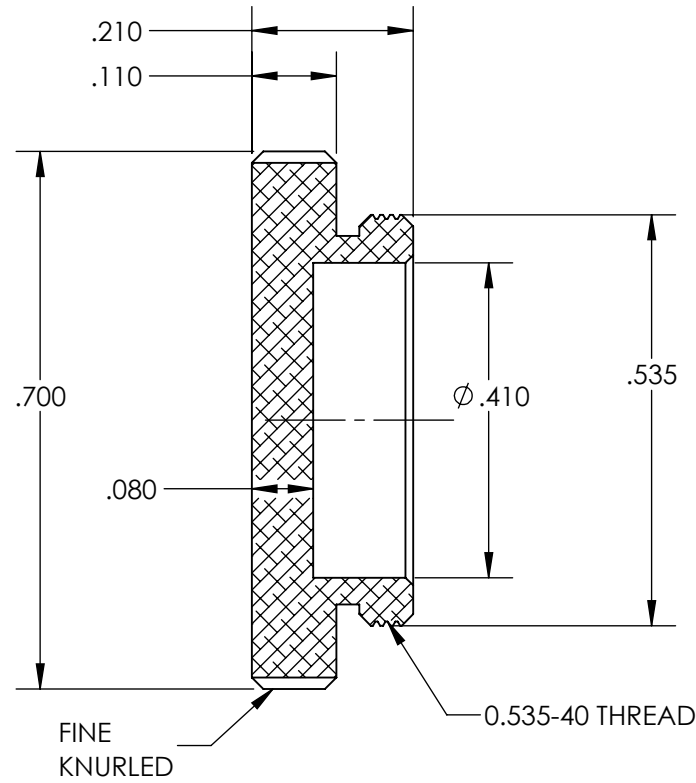
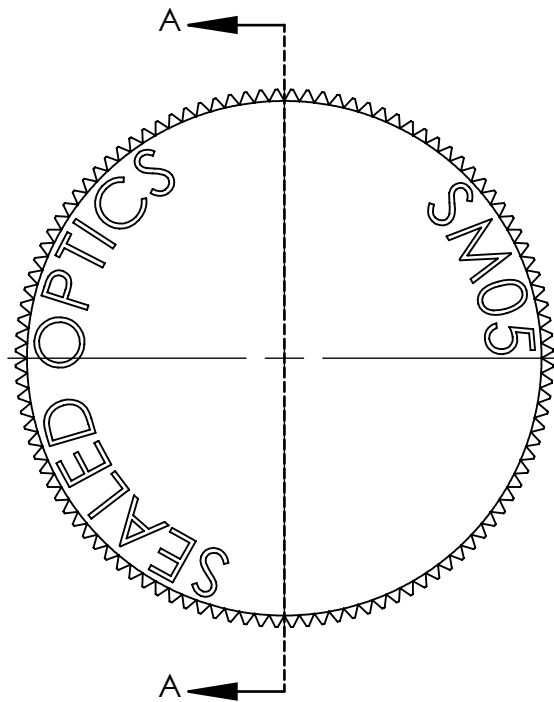
1

NOTES

- 1. MATERIAL: ALUMINUM 6061-T6
- 2. FINISH: BLACK ANODIZED ALUMINUM
- 3. MATES WITH SM LENS TUBE SYSTEM
- 4. ALL DIMENSIONS IN INCHES

B

B



SECTION A-A
SCALE 4 : 1

A

A

2

1