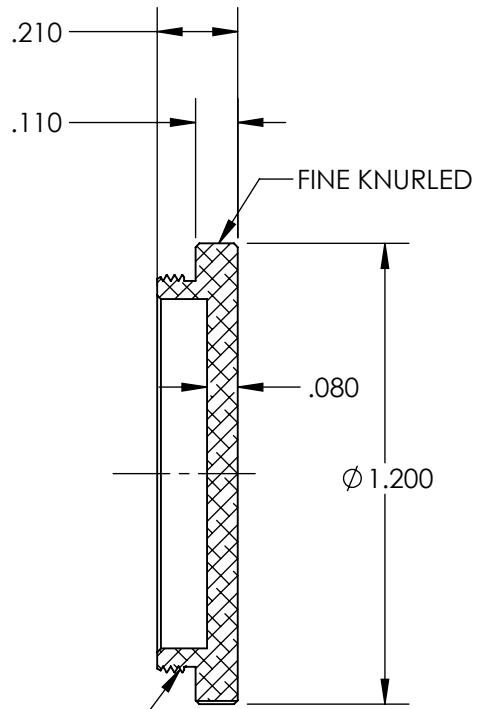
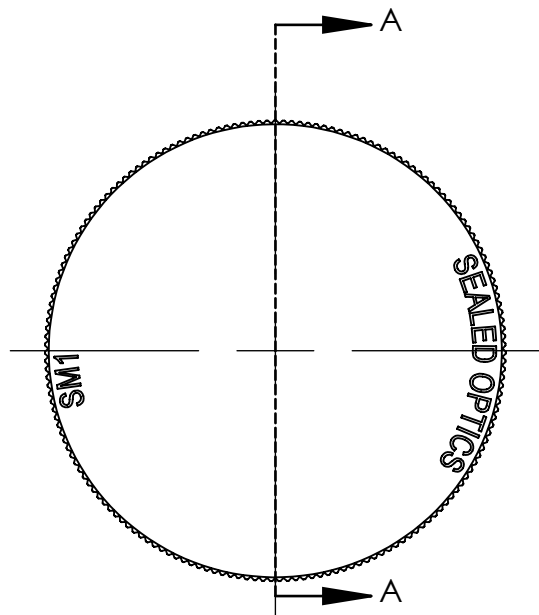


2

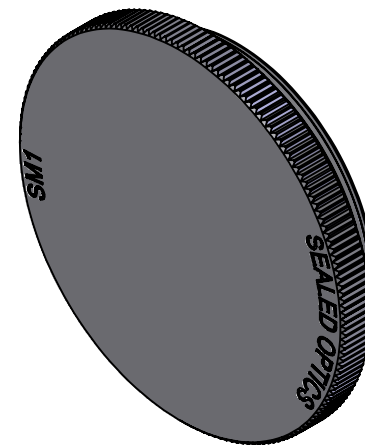
1

NOTES

- 1. MATERIAL: ALUMINUM 6061-T6
- 2. FINISH: BLACK ANODIZED ALUMINUM
- 3. MATES WITH SM1 LENS TUBE SYSTEMS
- 4. ALL DIMENSIONS IN INCHES



SECTION A-A



B

B

A

A

2

1