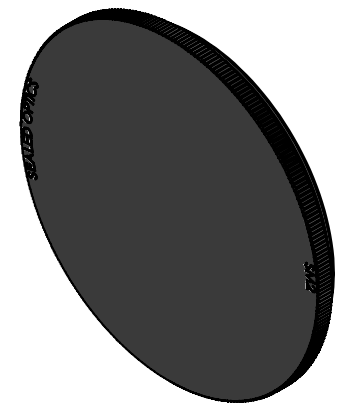
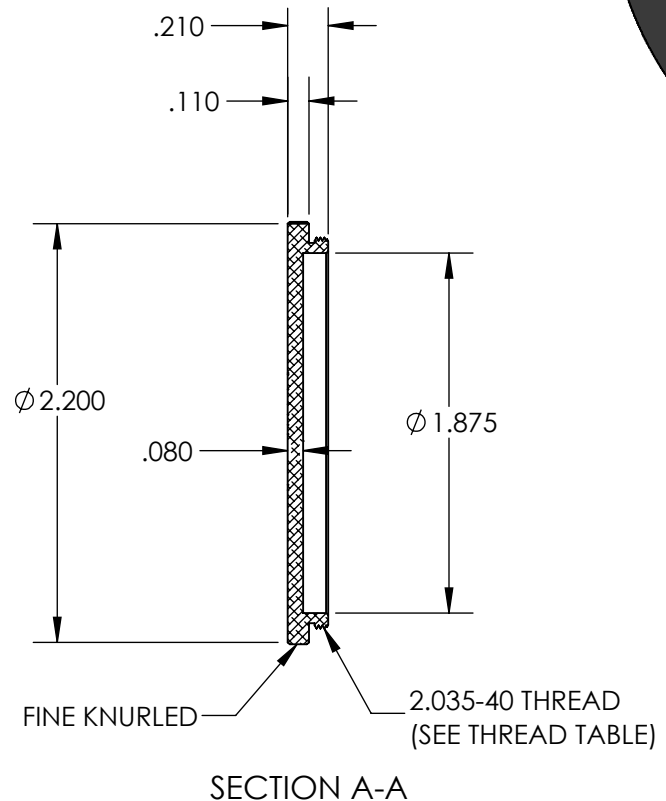
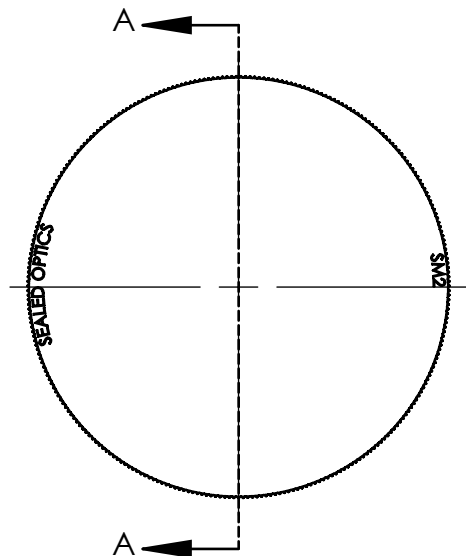


2

1

NOTES

- 1. MATERIAL: ALUMINUM 6061-T6
- 2. FINISH: BLACK ANODIZED ALUMINUM
- 3. MATES WITH SM2 LENS TUBE SYSTEMS
- 4. ALL DIMENSIONS ARE IN INCHES



B

B

A

A

2

1