

2

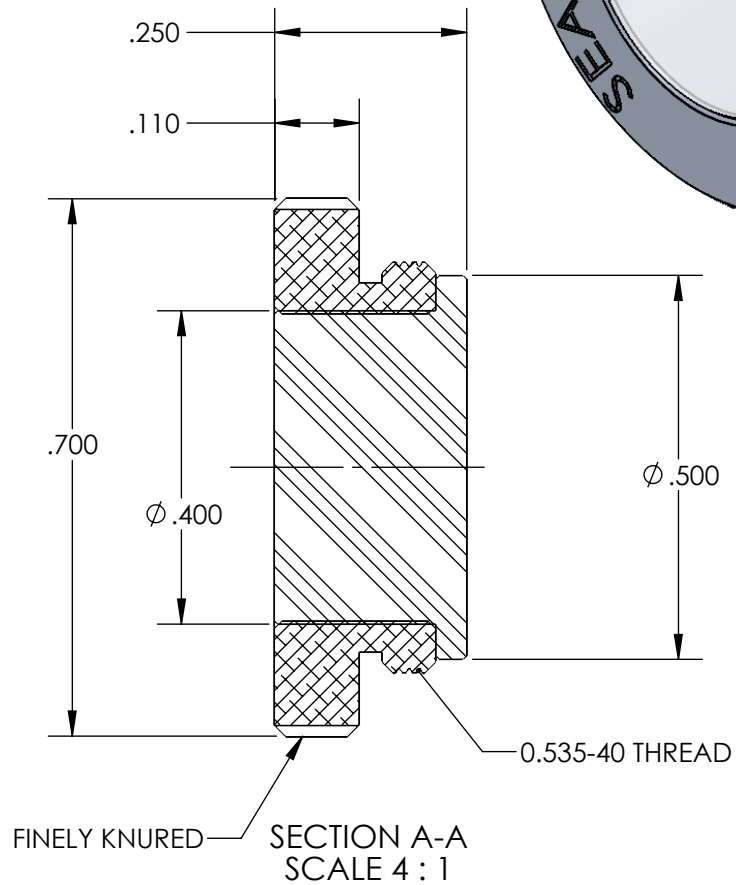
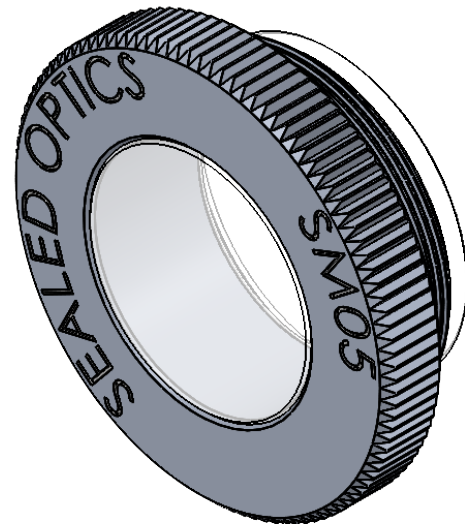
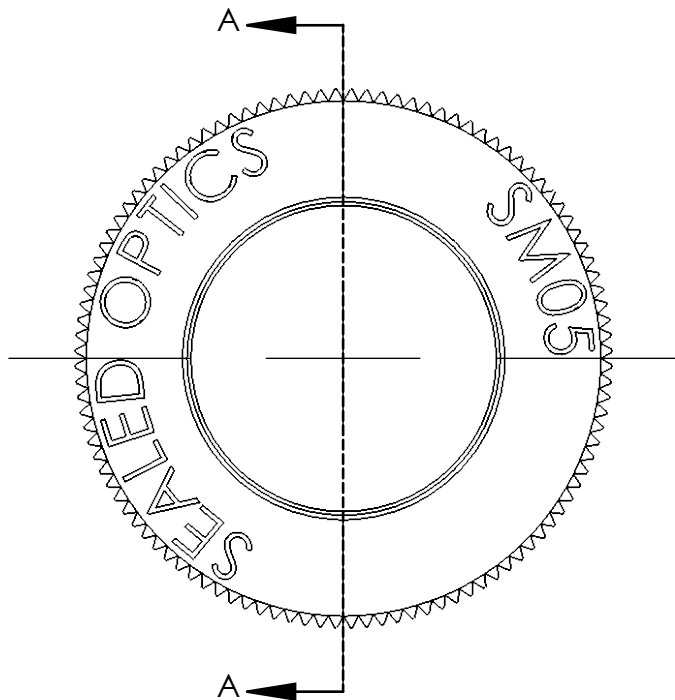
1

NOTES

- 1. MATERIALS: POLYCARBONATE AND BLACK ANODIZED ALUMINUM
- 2. CAUTION: DO NOT CLEAN POLYCARBONATE WITH ACETONE
- 3. MATES WITH SM2 LENS TUBE SYSTEMS

B

B



A

A

2

1