

2

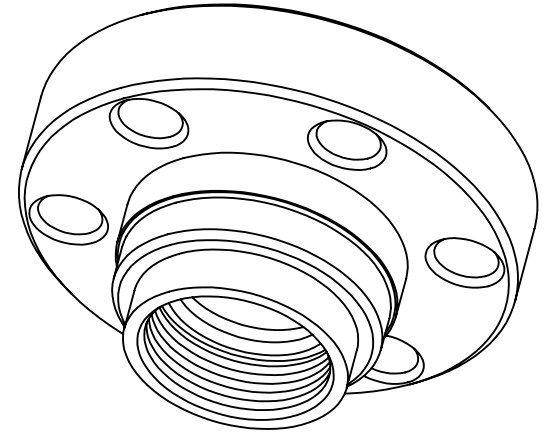
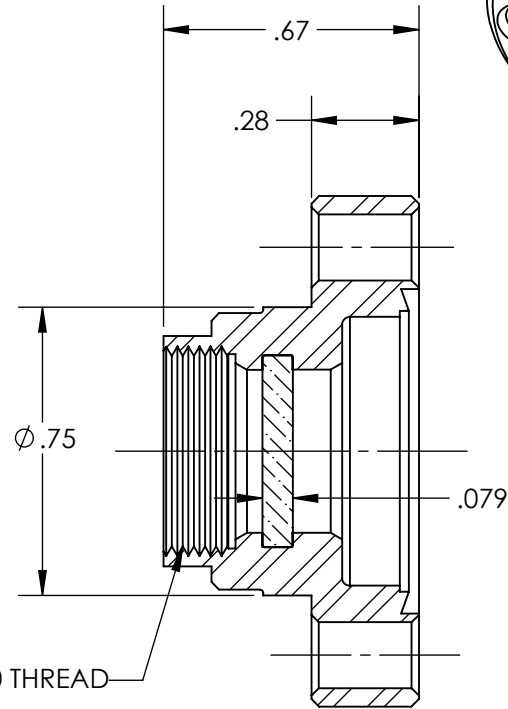
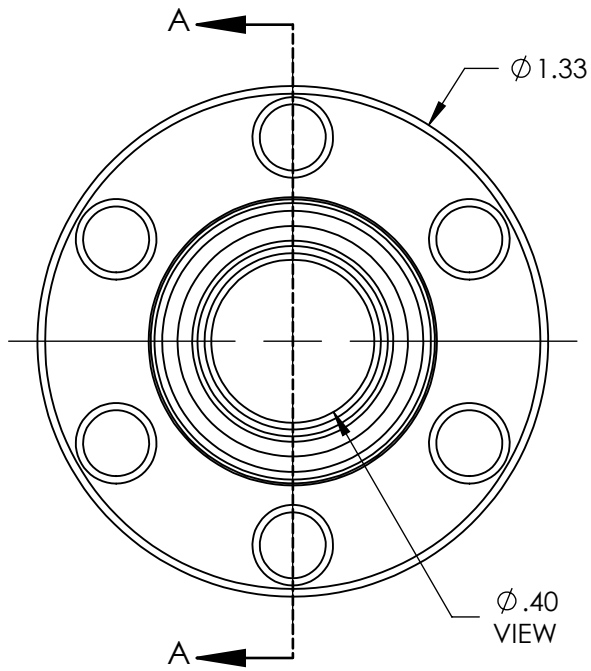
1

NOTES:

- 1. MATERIAL: MGF2 MAGNESIUM FLUORIDE
- 2. SUFACE QUALITY: 40-20 SCRATCH-DIG OR BETTER
- 3. PARALLELISM: 30 ARCMINUTES MAX
- 4. TWD: <math>\lambda/4</math> @633nm
- 5. LEAK RATE:  $2 \times 10^{-10}$  STD ATM CC/SEC HELIUM
- 6. TEMPERATURE RANGE: -100 TO 200 °C
- 7. MAGNETIC PERMEABILITY:  $\mu < 1.01$

B

B



A

A

SECTION A-A

2

1