

2

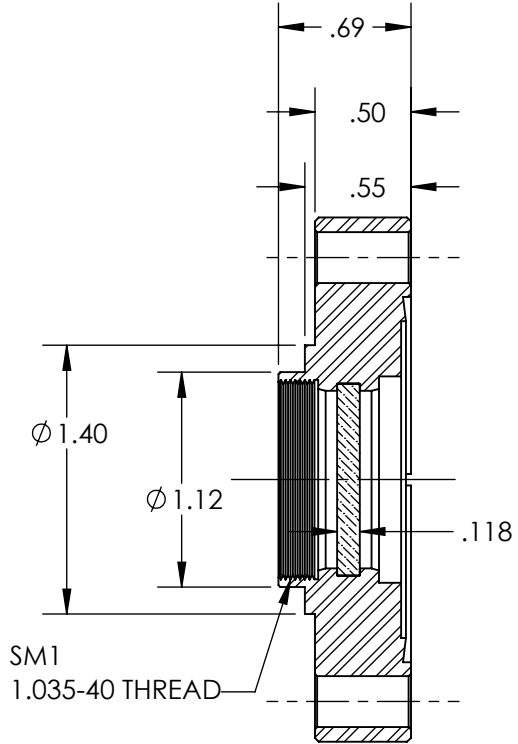
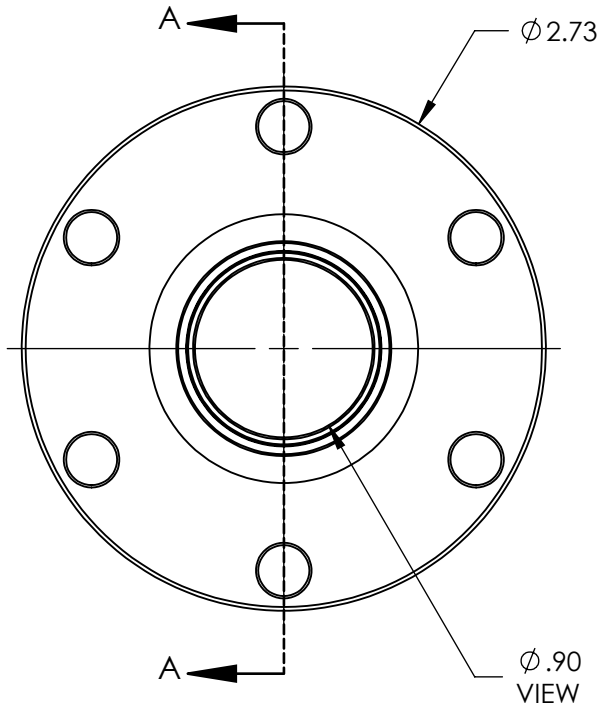
1

NOTES:

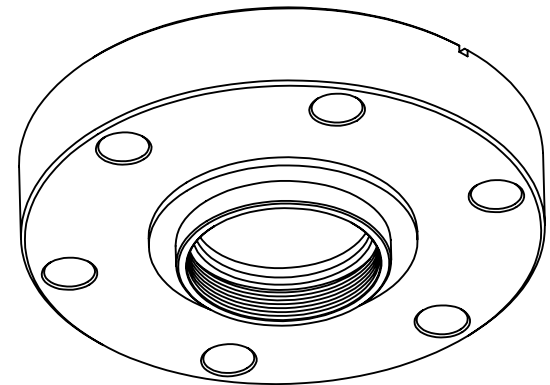
- 1. MATERIAL: SIO2 FUSED SILICA, 193NM EUV GRADE
- 2. SUFACE QUALITY: 40-20 SCRATCH-DIG OR BETTER
- 3. PARALLELISM: 30 ARCMINUTES MAX
- 4. TWD: $\lambda/4$ @633nm
- 5. LEAK RATE: 2×10^{-10} STD ATM CC/SEC HELIUM
- 6. TEMPERATURE RANGE: -100 TO 200 °C

B

B



SECTION A-A



A

A

2

1