

2

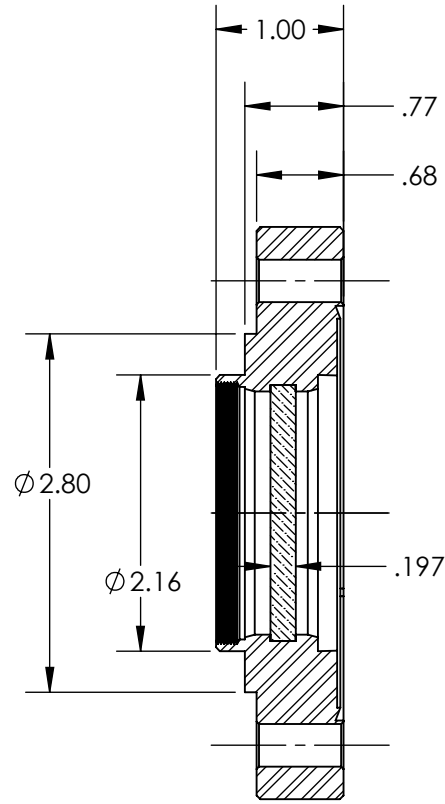
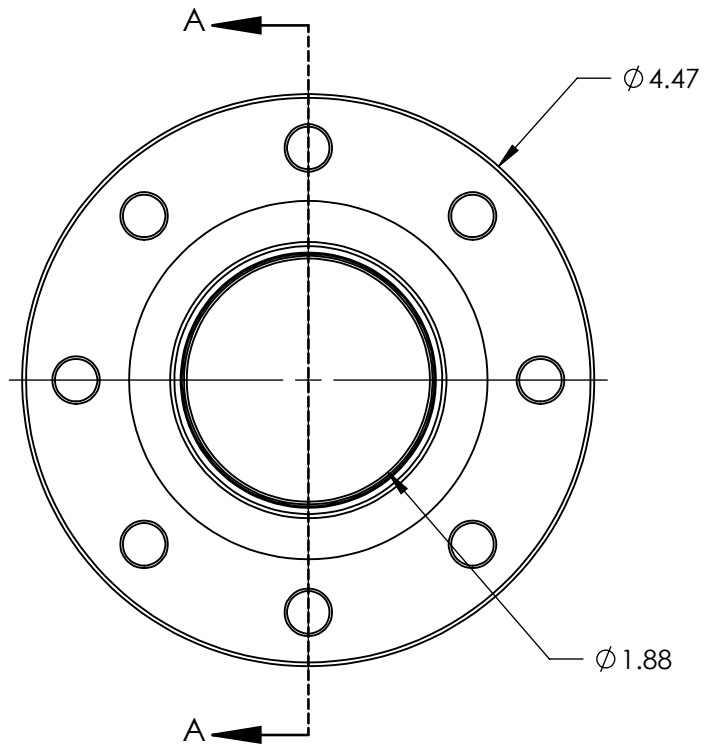
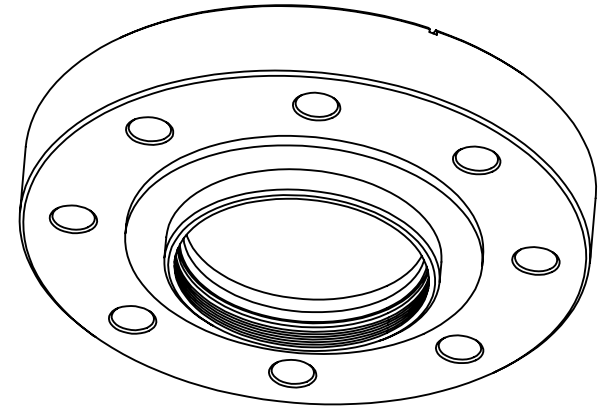
1

NOTES:

- 1. MATERIAL: SIO2 FUSED SILICA 193NM EUV GRADE
- 2. SURFACE QUALITY: 40-20 SCRATCH-DIG OR BETTER
- 3. PARALLELISM: 30 ARCMINUTES MAX
- 4. TWD: <math>< \lambda/4 @ 633\text{nm}</math>
- 5. LEAK RATE: 2×10^{-10} STD ATM CC/SEC HELIUM
- 6. TEMPERATURE RANGE: -100 TO 200 °C

B

B



SECTION A-A

A

A

2

1