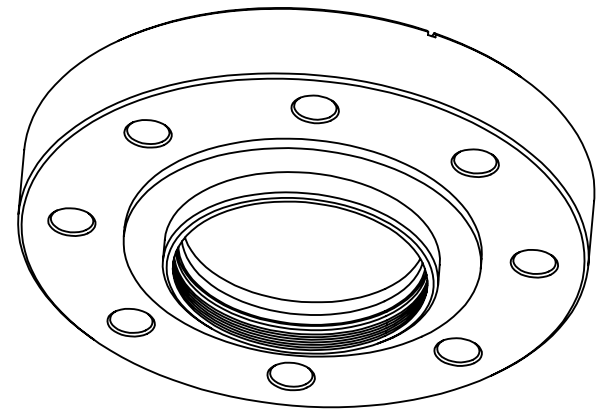
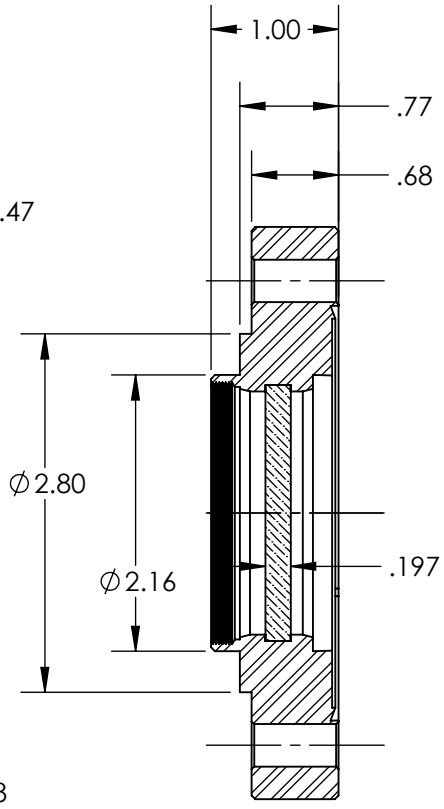
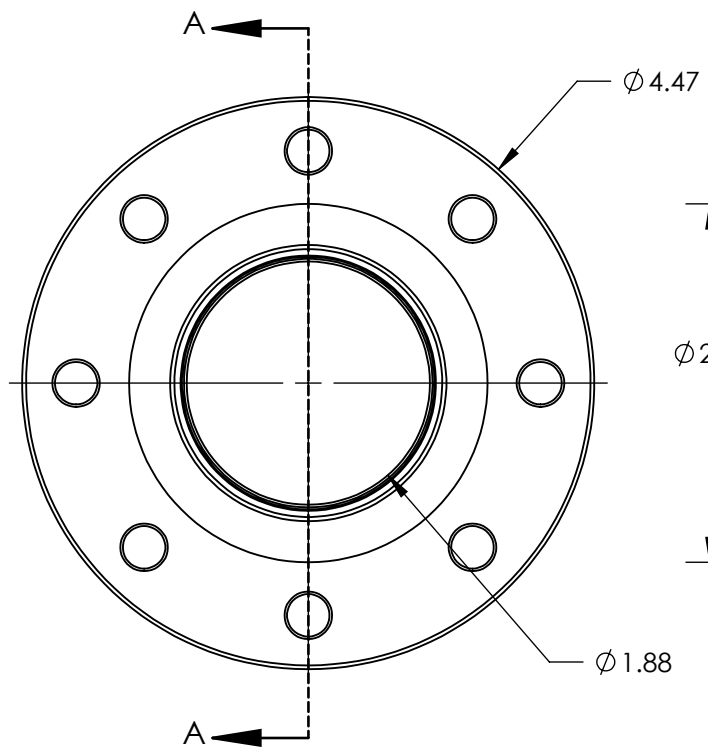


2

1

NOTES:

- 1. MATERIAL: ZNSE ZINC SELENIDE BBAR COATED 8-12 μm
- 2. SURFACE QUALITY: 40-20 SCRATCH-DIG OR BETTER
- 3. PARALLELISM: 30 ARCMINUTES MAX
- 4. TWD: $\lambda/4$ @633nm
- 5. LEAK RATE: 2×10^{-10} STD ATM CC/SEC HELIUM



B

B

A

A

SEALED OPTICS CO., INC. ZSE-013 | ZINC SELENIDE (ZNSE) UHV VIEWPORT, 4.50CF, 304 STAINLESS STEEL, BBAR COATED 8-12 MICRONS

2

1